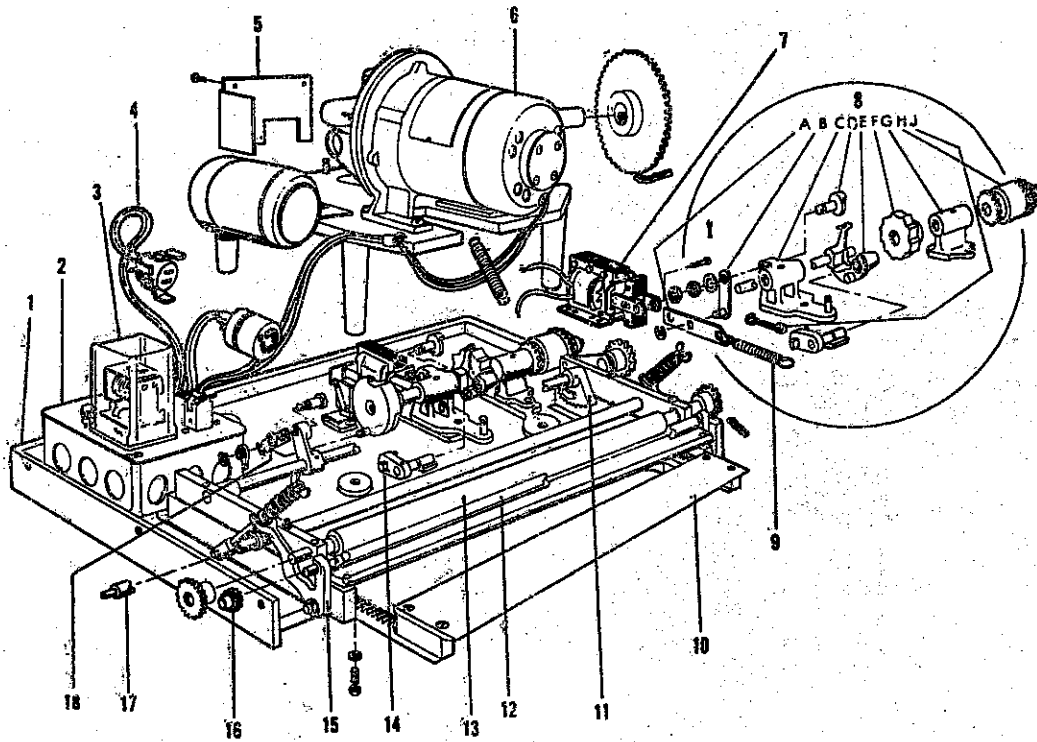


**KNIFE BOTTOM ASSEMBLY**  
**07708401**  
**UP TO SERIAL NO. 2766**

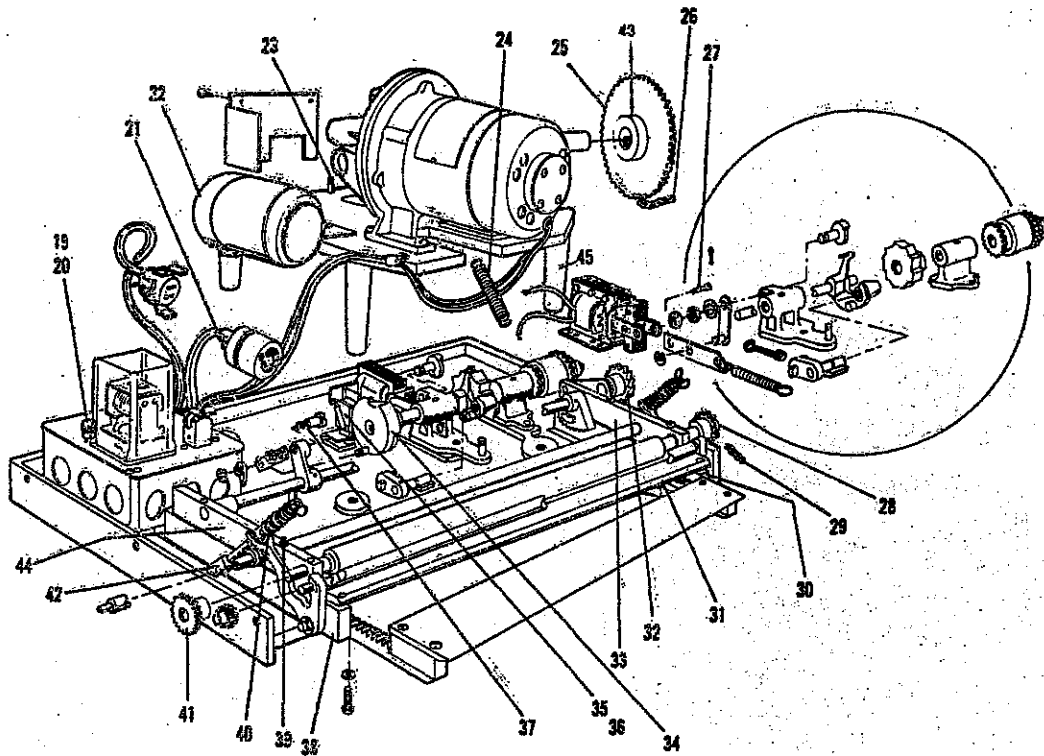


REF.	DESCRIPTION	PART NO.	REF.	DESCRIPTION	PART NO.
1	Magazine Bot. Casting	09579900	9	Solenoid Return Spring	09461000
2	Outlet Box Assembly	07708500	10	Sliding Knife Assembly	06542701
3	Plug In Relay	E0211600	11	Knife Oper. Shaft Assy	06542801
4	Cable Assembly	07697200	12	Pressure Roller	07225201
5	Microswitch Cover	07486200	13	Winding Roller Assy	09703200
6	Winding Motor	<del>06848800</del> <i>E0150500</i>	14	Clutch Trip Lug	04093700
7	Knife Solenoid	E0127700	15	RH Press. Roller Bearing	07865500
8	Winding Roller Drive	06543201		LH Press. Roller Bearing	07865600
A	Solenoid Link	09402200	16	Pressure Roller Gear	07225300
B	Operating Lever Assy	08400500	17	Pressure Roller Re-lease Shaft	09703400
C	End Bearing Assembly	<del>08468800</del> <i>08466800</i>	18	Knife Oper. Link Assy	05848100
D	Clutch Trip Lug	04093700	NS	CAMERA STAND	07709801
E	Arm & Shaft Assembly	08434900		CABLE ASSY.	
F	Ratchet Wheel Assy	08400300		Magazine Plug	E0147800
G	Center Bearing Assy	08466900		Cam. Stand Plug	09178700
H	Mini Clutch Assembly	08407701			
J	Clutch Pawl Spring Assy	05028300			

# KNIFE BOTTOM ASSEMBLY

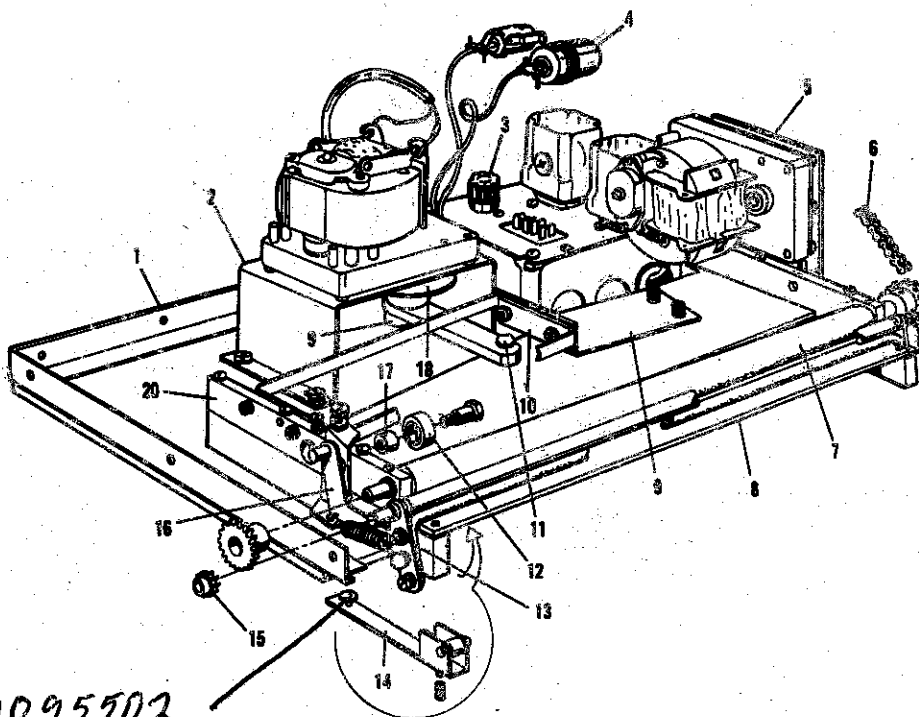
07708401

(up to Serial No, 2766)



REF.	DESCRIPTION	PART NO.	REF.	DESCRIPTION	PART NO.
19	Fuse Holder	E0126400	32	Idler Sprocket Assembly	05807800
20	½ Amp Fuse	E0133100	33	Winding Roller Assembly	05842000
21	Cable Assembly	07709500	34	Cam Assembly	05584000
22	Motor Capacitor	E0127600	35	Microswitch	E0129900
23	Knife Spring Pin	07476700	36	Microswitch Roller Lever	E0130000
24	Knife Spring	03019500	37	Stud	08536400
25	Drive Sprocket	09862200	38	RH Knife Bracket Assy	07868400
26	Roller Chain	<del>05848400</del>	39	Press. Shaft Ret. Screw	H0276000
27	Solenoid Link Stud	09442000	40	Pressure Roller Spring	02948800
28	Sprocket	07435400	41	Winding Roller Gear	07559000
29	Roller Chain	07435600	42	Control Rod Assembly	05848500
30	LH Knife Bracket Assy	07868500	43	Pin	H0513500
31	Stationary Knife	08551601	44	Block	07582600
			45	Motor Mount	07598600
			NS	Cable (knife bottom to camera stand)	07709801
				Plug (knife bottom)	E0147800
				Plug (camera stand)	09178700

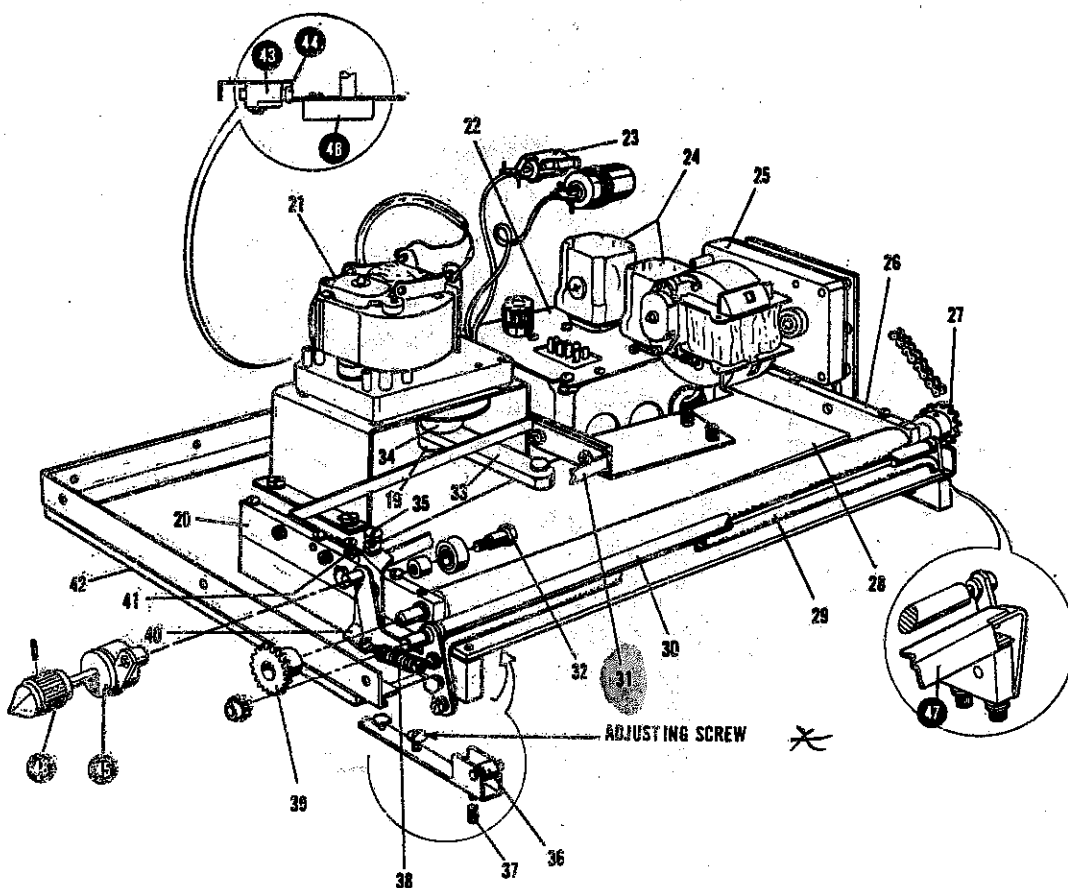
**KNIFE BOTTOM - MARK IV**  
**01090204**



01095502

REF.	DESCRIPTION	PART NO.	REF.	DESCRIPTION	PART NO.
1	Frame Assembly	01090601	10	Spring Holder	01094801
2	Bracket	01090501		Hex Nut	H0144200
	Screw	H0465400	11	Screw	01095504
	Flat Washer	H0190200	12	Screw	01095503
	Lock Washer	H0155200		Stud	01094301
3	Slo Blo Fuse 1/2 Amp	E0133100	13	Flat Washer	H0156400
	Fuse Holder	E0126400		Lock Washer	H0155000
4	Cable Assembly	07709500	14	Knife Tension Assy	01092501
5	Mounting Plate	01094901	15	Gear	07225301
	Screw	H0477800		Spiral Pin	H0507800
	Flat Washer	H0190100	16	Bracket Assembly RH	01091601
	Hex Nut	H0144300		Bracket Assembly LH	01092202
6	Chain - 39 Links	09702012		Bearing	09832800
7	Roller	09703200	17	Spacer	01095301
8	Stationary Knife	19880901	18	Cam	01095001
	Flat Washer	H0190200			
9	Bracket	19011201			
	Screw	H0275800			
	Lock Washer	H0155100			

# KNIFE BOTTOM MARK IV

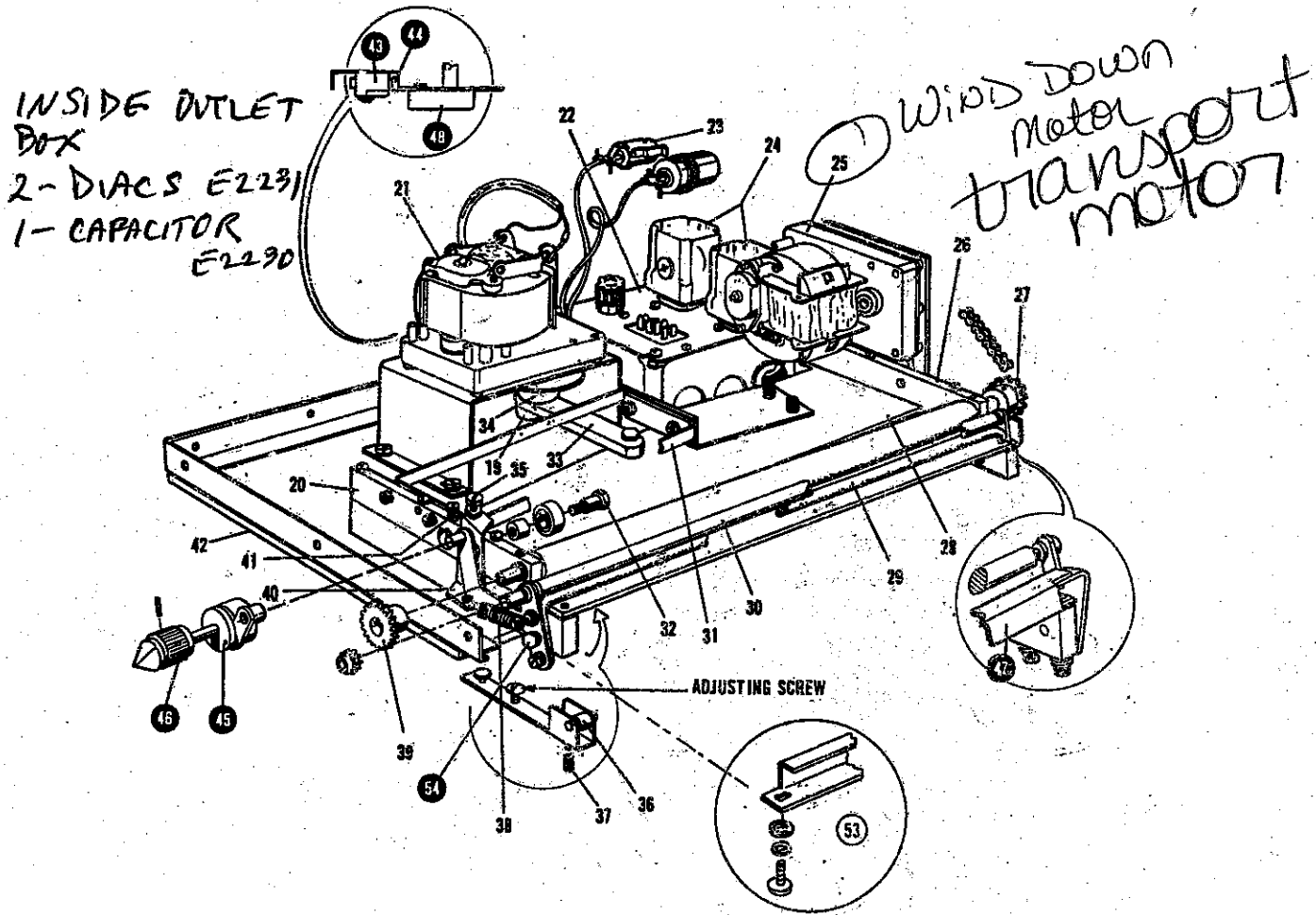


REF.	DESCRIPTION	PART NO.	REF.	DESCRIPTION	PART NO.
19	Collar	01095101	26	LH Bearing Assembly	01091001
20	RH Bearing Assembly	01090801		Screw	H0472400
	Screw	H0472400		Lock Washer	H0155100
	Lock Washer	H0155100	27	Sprocket	07435401
21	Motor-Knife	19168901		Spiral Pin	H0513400
	Screw	H0472100	28	Knife, Sliding	19881201
	Lock Washer	H0155100	29	Bar	19727001
22	Outlet Box Assembly	01095601	30	Roller	07225201
23	Cable Assembly	07697200	31	Support	01094201
24	Relay	E0218000			
25	Motor-transport	19102601			
	Gear	19041801			
	Gear - ECM Motor	19058101			

\* ADJUSTING SCREW H0393  
 8-32<sup>18</sup> Flat Hd Slotted  
 nylok screw

AC-SILE  
 Spring  
 7 in long  
 2 wide  
 1/2 thick

**KNIFE BOTTOM  
MARK IV  
01090204**



REF.	DESCRIPTION	PART NO.	REF.	DESCRIPTION	PART NO.
32	Bearing	01095401	43	Switch	E0129900
33	Rod Assembly	01093501	44	Actuator	E0130000
34	Crank Body	01093301	45	Pressure Release Assy	01093001
35	Screw	H0472300	46	Knob	09581300
	Nut	H0144200	47	Knife Guide	19173001
36	Bearing	01092601	48	Cam	10905001
37	Spring	00633800	49	Knife Support	19727501
38	Spring	01095201	50	Bolt	H0321200
39	Gear	07559000	51	Washer	H0155200
	Spiral Pin	H0507700	52	Nut	H0144400
40	Bracket	01094001	53	Plate Guide	19752001
41	Screw	H0472300		Bolt	H0657000
	Nut	H0144200		Flat Washer	H0156000
42	Plate	01090301		Lock Washer	H0155200
			54	Shoulder Screw	01095501

01095504